

4

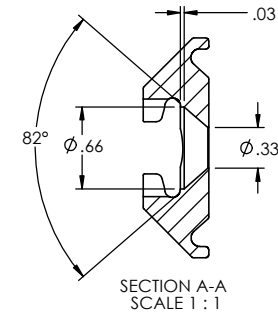
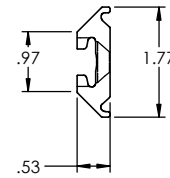
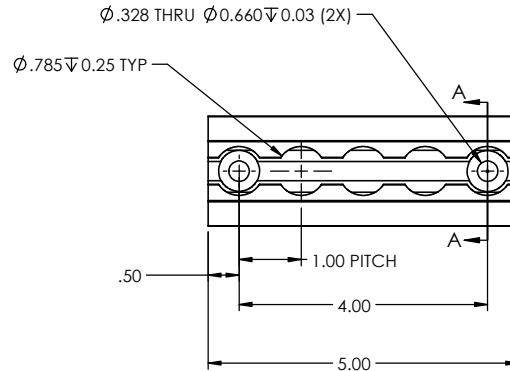
3

2

1

FE752NA005-04-3

REV	ECN	DESCRIPTION	BY	VERIFIED	DATE
A	WS1698	CUSTOMER DRAWING RELEASE	SKY	MG	01/13/15



UNLESS OTHERWISE SPECIFIED:

1. MATERIAL: ALUMINUM 6061-T6
2. FINISH: NONE
3. PART TO BE FREE FROM BURRS AND SHARP EDGES
4. ALL DIMENSIONS ARE FOR REFERENCE ONLY
5. THIS PRODUCT CONFIGURATION MAY NOT BE PER Q'STRAIT/SURE-LOK (QSL) INSTALLATION RECOMMENDATIONS. IT IS THEREFORE THE RESPONSIBILITY OF THE INSTALLER TO ENSURE THAT THIS PRODUCT IS PROPERLY TESTED AND IN CONFORMANCE WITH ALL APPLICABLE REGULATORY REQUIREMENTS.

APPROVED
FOR PRODUCTION RELEASE

BY: _____

DATE: _____

DIMENSIONS ARE IN INCHES.		INITIAL APPROVAL		THIRD ANGLE PROJECTION		THE USE, DUPLICATION, DISTRIBUTION, OR DISCLOSURE OF THIS DATA (IN WHOLE OR IN PART) FOR PURPOSES OF MANUFACTURING OR PROCUREMENT WITHOUT WRITTEN PERMISSION OF "Q'STRAIT" IS EXPRESSLY PROHIBITED.	
DRWN:	SKY	01/12/15		PRINTED COPY UNCONTROLLED			
ENGR:				ASME Y14.5-2009			
MFG:	MG	01/13/15		SCALE:	SIZE:	TYPE:	DRAWING TITLE:
QUAL:				1:2	B	U	OMNI, L TRK, SURFACE ANGLED, PREDRILLED, 4" CENTERS, 5/16" MOUNTING HOLES



www.qstraint.com



www.sure-lok.com

DRAWING NUMBER:
FE752NA005-04-3

REV: **A**
1 OF 1

4

3

2

1