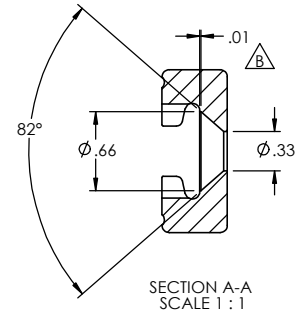
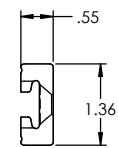
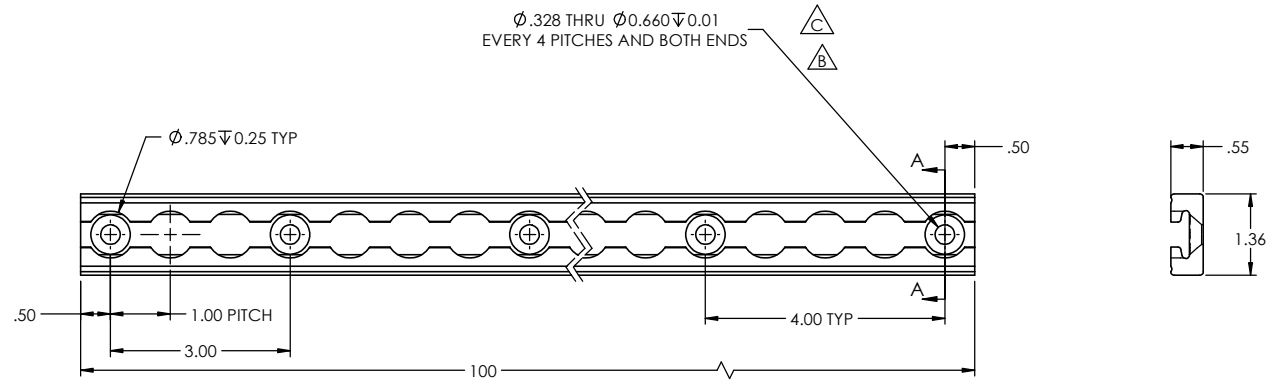


**FE750NA100-04-3**

REV	ECN	DESCRIPTION	BY	VERIFIED	DATE
A	WS1587	CUSTOMER DRAWING RELEASE	SKY	MG	5/13/13
B	WS1617	COUNTERBORE DEPTH WAS .04	SKY	MG	11/12/13
C	WS1622	THROUGH HOLE WAS $\phi$ .278	SKY	MG	11/20/13



**APPROVED**  
FOR PRODUCTION RELEASE  
BY: \_\_\_\_\_  
DATE: \_\_\_\_\_

UNLESS OTHERWISE SPECIFIED:

1. MATERIAL: ALUMINUM 6061-T6
2. FINISH: NONE
3. PART TO BE FREE FROM BURRS AND SHARP EDGES
4. ALL DIMENSIONS ARE FOR REFERENCE ONLY
5. PART NUMBER: FE750NA100-04-3

DIMENSIONS ARE IN INCHES.		INITIAL APPROVAL		THIRD ANGLE PROJECTION		THE USE, DUPLICATION, DISTRIBUTION, OR DISCLOSURE OF THIS DATA (IN WHOLE OR IN PART) FOR PURPOSES OF MANUFACTURING OR PROCUREMENT WITHOUT WRITTEN PERMISSION OF "QSTRAINT" IS EXPRESSLY PROHIBITED.	
DRWN:	SKY	3/12/13	PRINTED COPY UNCONTROLLED	DRAWING TITLE:			
ENGR:			ASME Y14.5-2009	OMNI, L TRK, REGULAR, 100", PREDRILLED			
MFG:	MG	5/13/13	SCALE: SIZE: TYPE:	4" CENTERS, 5/16" MOUNTING HOLES			
QUAL:			1:2 B U				

 [www.qstraint.com](http://www.qstraint.com)  
 [www.sure-lok.com](http://www.sure-lok.com)  
 Safe and Secure  
 DRAWING NUMBER: **FE750NA100-04-3**  
 REV: **C**  
 1 OF 1