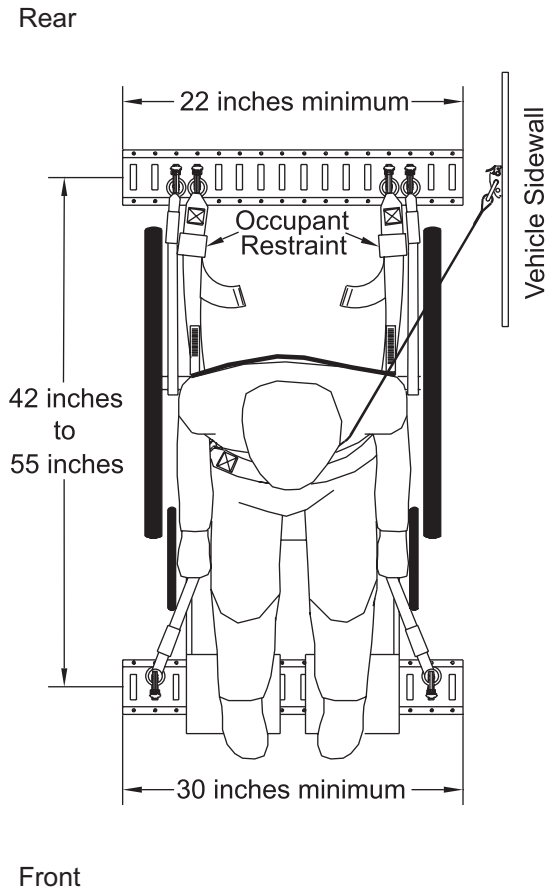


A Track Applications



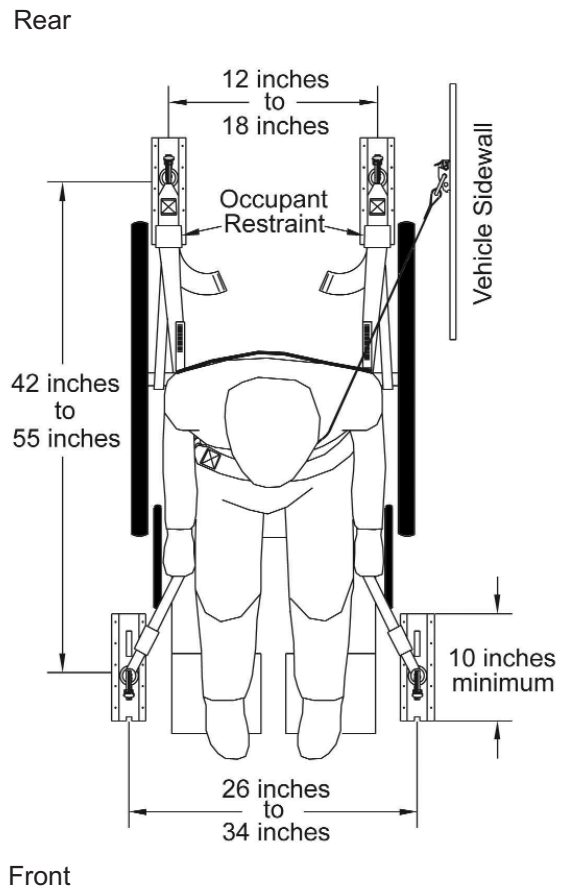
Heavy-Duty Series A Horizontal Track Widthwise Orientation

Recommended Installation for all Series A Track:

For widthwise installation, use a minimum of four fasteners or fasteners at 4" intervals on each side of the track, whichever provides the greater number of fasteners.

Use grade 5 or equivalent fasteners of 1/4" minimum size.

Use appropriate back-up washers as needed to comply with local and/or Federal requirements.



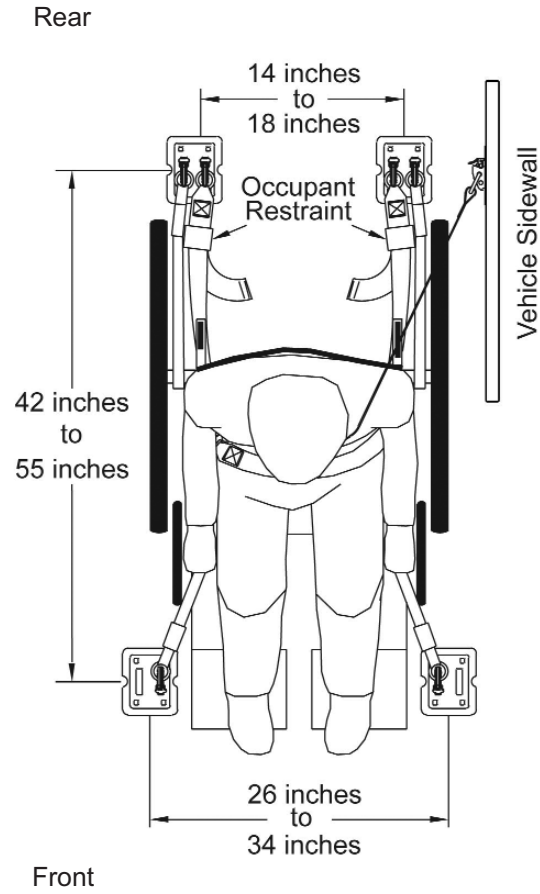
Heavy-Duty Series A Vertical Track Lengthwise Orientation

Recommended Installation for all Series A Track:

For lengthwise installation, use a minimum of four fasteners or fasteners at 4" intervals on each side of the track, whichever provides the greater number of fasteners.

Use grade 5 or equivalent fasteners of 1/4" minimum size.

Use appropriate back-up washers as needed to comply with local and/or Federal requirements.



Heavy-Duty Series A Floor Plate Kit

Recommended Installation:

Sure-Lok Series A Floor Plate Kit comes with installation hardware included. Each kit also comes with complete installation instructions.